

www.owosso.com

151 N. DELANEY RD. OWOSSO, MI 48867

Copper & Magnesium Die Prices

The Total Package

- Quality
- Speed
- Competitive
- Friendly Service
- Community

- Brass Dies
- Custom Applications
- Debossing Dies
- Fabric Embossing Dies
- Foil Stamping Dies
- Half-tone & Line Etchings
- Intaglio Printing Dies
- Membrane Embossing Dies
- Pantograph Masters
- Paper Embossing Dies
- Plaques
- Rubber Stamp Masters
- Thermal Kiss-Cut Dies
- Make-Ready Supplies
- Flexo Plates
- Metalphoto

Contents

Prices.....Page 2
 Special Charges.....Page 3
 Tech Tips.....Page 4
 Contact Info.....Page 5

America's Largest Manufacturer of Quality Brass, Copper & Magnesium Dies

U.S. & Canada **800-444-5552**

International **989-725-7112**

Business Fax **989-723-5399**

ORDERING INFORMATION

On-line ordering available at www.owosso.com.

Prices eff. January 1, 2016

Magnesium Dies

Foil Stamping, Embossing, Debossing, Half-tone and Line Etching, Rubber Stamp Master, Letterpress and Custom Applications

Same Day Turn-around	Sizes		Plates		Image		Two Day Turn-around	
	.064", .080", .153", .250" .375"		30" x 40" 24" x 36"		29" x 39" 23.5" x 35.5"		16 ga. on wood type high 1/4" mag mounted type high	
Sq In	16 ga.	Eighty Thousandths	11 pt.	1/4"	3/8"	16 ga. on wood type high	1/4" mag mounted type high	
Standard Etch Depths	(.064") .035"-.040"	(.080") .050"-.055"	(.153") .065"-.070"	(.250") .085"-.100"	(.375) .245"-.258"	(.918") .035"-.040"	(.250") .085"-.100"	
10	\$16.25	\$17.40	\$31.30	\$35.55	\$45.30	\$21.10	\$63.05	
11	\$16.95	\$18.80	\$33.70	\$36.25	\$47.60	\$22.05	\$66.25	
12	\$17.70	\$19.50	\$35.10	\$37.90	\$49.75	\$23.00	\$70.40	
13	\$18.75	\$20.55	\$36.75	\$39.85	\$52.25	\$24.35	\$74.85	
14	\$19.40	\$21.40	\$37.50	\$40.60	\$54.90	\$25.25	\$78.10	
15	\$20.35	\$22.40	\$38.45	\$40.95	\$56.85	\$26.40	\$80.95	
16	\$21.00	\$23.20	\$39.40	\$41.95	\$58.25	\$27.30	\$84.45	
17	\$22.05	\$24.35	\$41.20	\$43.25	\$60.25	\$28.65	\$88.25	
18	\$23.35	\$25.70	\$41.95	\$45.35	\$62.10	\$30.35	\$92.85	
19	\$24.00	\$26.35	\$43.35	\$46.35	\$63.80	\$31.20	\$96.35	
20	\$24.95	\$27.30	\$44.65	\$46.85	\$65.80	\$32.40	\$99.35	
21	\$25.55	\$28.20	\$46.30	\$47.90	\$67.60	\$33.25	\$102.90	
22	\$26.15	\$28.70	\$47.30	\$49.45	\$70.70	\$34.00	\$106.95	
23	\$26.65	\$29.25	\$48.35	\$52.55	\$73.70	\$34.60	\$112.55	
24	\$27.30	\$30.00	\$49.45	\$54.10	\$76.30	\$35.50	\$116.60	
25	\$27.85	\$30.65	\$51.50	\$57.25	\$78.80	\$36.20	\$122.25	
26	\$28.60	\$31.50	\$53.30	\$59.30	\$80.35	\$37.20	\$126.80	
27	\$29.20	\$32.05	\$54.35	\$60.75	\$82.00	\$37.95	\$130.75	
28	\$29.80	\$32.85	\$55.35	\$61.80	\$83.60	\$38.80	\$134.30	
29	\$30.40	\$33.40	\$56.40	\$63.15	\$85.20	\$39.50	\$138.15	
30	\$31.05	\$34.00	\$57.15	\$64.25	\$86.75	\$40.40	\$141.75	
Each add'l sq in over 30 sq in	\$.57 ea.	\$.63 ea.	\$1.03 ea.	\$1.10 ea.	\$1.44 ea.	\$.74 ea.	\$3.60 ea.	

Wood Mounting for 11 pt. & 1/4" metal: Add 30% to unmounted prices (next day turn-around) **.032" or .040" Gauge Magnesium:** Same price as 11 pt. unmounted
Magnesium Mounting on 1/4" and 3/8": \$15.00 first 5 sq. in./ \$2.50 for each add'l sq. in.

Cost Estimating: Measure the length and the width from the most extreme points of the image area. For fractions, round up to the next 1/4". Multiply length by width to calculate the total square inches. Please remember to add the appropriate Production Allowance - see below. If you specify a plate size, add Production Allowance to that measurement. Production Allowances are for cost estimating only - do not include this calculation in your ordering instructions. Call for free estimates.

Production Allowances: Copper & Magnesium: Mounted & Unmounted Dies- Add 1/2" to length and width of image.

Embossing Dies: Copper and Magnesium: Add 1" to length and width of image.

Copper Dies

Foil Stamping, Embossing, Letterpress and Intaglio

Two Day Turn-around	Sizes		Plates		Image	
	Maximum. 18" x 22"		18" x 22"		17" x 21"	
	16 ga (.064")		1/4" (.250")			
Minimum 15 sq in	\$25.00		\$45.00			
Each Additional sq in	\$1.20		\$2.10			

Embossing Counter Dies

Type of Counter	Minimum up to 30 sq in	Each Add'l sq in over 30 sq in
Fiberglass- <i>includes 2 pins</i>	\$36.00	\$.93 ea.
.040 Magnesium	\$57.15	\$1.03 ea.
16 ga Magnesium	\$31.05	\$.57 ea.

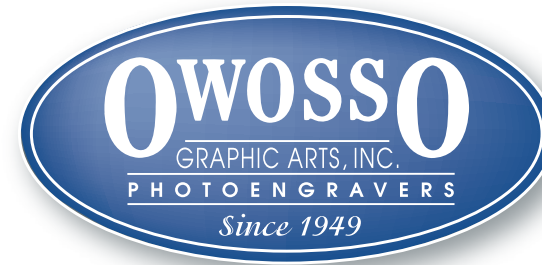
OVERSIZE MAGNESIUM DIES
Available up to 30" x 120"

Embossing Definitions:

- Debossing:** Technique of LOWERING an image into a substrate.
- Embossing:** Technique of RAISING an image into a substrate.
- Female:** Die with image recessed into the plate.
- Male:** Die with image raised on plate.
- Counter Die:** For embossing, an etched metal or fiberglass molded male used to push the stock or substrate into a female engraved die.

Custom Services:

Aamstamp Bevel	\$5.25	Top & Bottom
Artwork Charges	\$75.00/hour;	15 minute minimum
Bevel, per side	\$2.00	
Expansion Factor	\$25.00	
Extra Routing.....	Small-\$2.00	Medium-\$3.00 Large-\$4.00
Hole Drilling	\$1.00 ea	
Mortise.....	Corner-\$2.50	U-shape-\$4.50 Inside-\$8.00
OWOSSO Release Coating	up to 19 sq. in. – \$5.50 per die	
.....	each additional \$0.29 sq. in.	
Proof with Invoice.....	\$1.00 per invoice	
Rush Charge (Depends on production schedule)	\$100.00 & up	
Sawing.....	\$.60 per cut	
Sawing Magnesium Mounted	\$1.00 ea	
Special Etch	\$50.00	
Typesetting.....	\$10.00 min. up to 4 lines	
Simple corrections and repairs	\$2.00 per additional line	
Unblemished Plate (No finishing marks)	Add 30%	



The Total Package

- Quality
- Speed
- Competitive
- Friendly Service
- Community

Since 1949, OWOSSO has been producing high quality dies for special decorative effects like foil stamping, paper embossing, and debossing.

Magnesium dies can be produced on 16 gauge (.064"), 80 thousandths (.080"), 11 point (.153"), 3/8" (.375"), or 1/4 inch (.250"). Copper dies can be produced on 16 gauge (.064") or 1/4 inch (.250").

Please call for Brass quotes.

As America's largest brass, copper and magnesium photo-engraver, our overriding goal is complete customer satisfaction no matter the size or scope of your job. To do this, we deliver new technologies, along with good old-fashioned small town values such as honesty, integrity, and hard work. We promise, our dies and our company will leave a lasting impression.

We look forward to helping you with all of your die needs.

Magnesium Plate Storage:

All plates should first be thoroughly cleaned, coated carefully with a light oil (such as non-stick cooking spray), and then tightly wrapped in plastic wrap or a resealable bag.

General Definitions:

Flop: The image is right reading on your finished die.

Standard

Reverse

Reverse: White areas will be etched into the plate.

Order online at www.owosso.com

Common Uses of Various Metal Gauges:

16 gauge (.064") unmounted

for hot stamping, debossing, printing, rubber stamp masters, and pantograph masters.

Eighty Thousandths (.080") unmounted

for hot stamping, debossing, and pantograph masters.

11 pt. (.153") unmounted

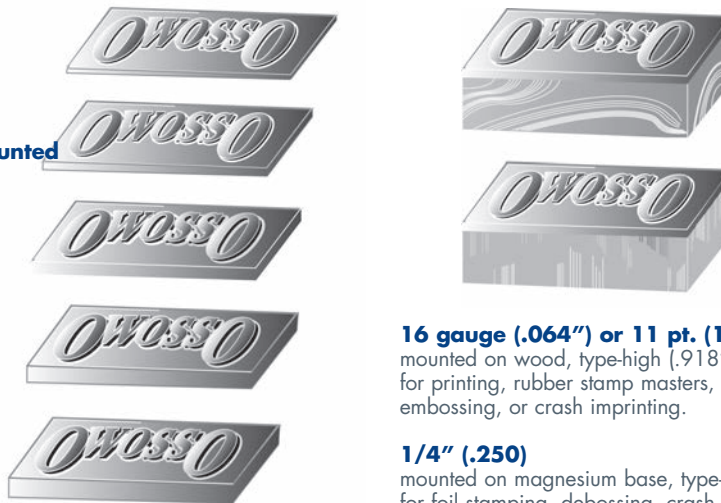
for foil stamping, debossing, embossing, and rubber stamp masters.

1/4" (.250) unmounted

for foil stamping, debossing, embossing and rubber stamp masters.

3/8" (.375") unmounted

for hot stamping, debossing



16 gauge (.064") or 11 pt. (.153")

mounted on wood, type-high (.918") for printing, rubber stamp masters, embossing, or crash imprinting.

1/4" (.250)

mounted on magnesium base, type-high (.918") for foil stamping, debossing, crash imprinting, or embossing with heat.

Ask Us!

Copper or Magnesium?

Several important factors combine to determine whether copper or magnesium is right for your application. Choosing magnesium, when appropriate, can yield cost savings for your customer and speed up turn-around without sacrificing quality.

Magnesium is often best used on smaller areas with smoother papers, while copper is typically beneficial for larger areas and more heavily textured papers, and extra long runs.

Prior to making a decision, the following issues should be evaluated with your printer, press operator, or an OWOSSO team member:

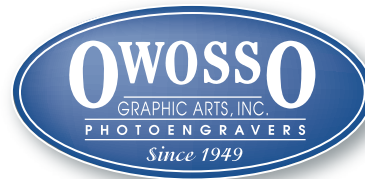
- Surface Area Pressure
- Artwork Designs
- Length of Press Run
- Type of Substrate
- Handling and Maintenance

Our OWOSSO team members are available to answer any customer service or tech support questions.

Brass dies, call for a quote
Give us a call at:

1-800-444-5552 or e-mail at engraver@owosso.com

We're here to help!



OWOSSO is a Proud Member of the Following Organizations

